



Luxury Swimming Pool Kits & Equipment at Budget Prices



Jandy / Laars LX heaters
Pool Gas Heaters



LX/LT
Heaters

Powerful, Efficient and Automation-Ready

Our exclusive digital controls provide more precision and less hassle. And inside the incredibly reliable LX/LT heaters, you'll find plenty of features to warm up to:

- Automatic pool-to-spa switching
- Fan-assisted controlled combustion for consistent efficiency—up to 83%
- Corrosion resistant polymer headers for long term reliability
- Meets all air quality standards (Low NOx)
- Contemporary design blends into any backyard landscape

THE LX: USER-FRIENDLY INTERFACE



The LX is the only heater available that communicates directly with the Jandy AquaLink® RS control system. The LCD displays actual and set point temperatures.

THE LT: SIMPLIFIED DUAL ELECTRONIC THERMOSTAT



Dual set points provide convenient pool and spa temperature settings. LED indicators give easy to understand diagnostic information.

The First Pool and Spa Heater So Advanced It's Simple

LX/LT Heaters



The LX Control

and user friendly interface are key elements in your Aqualink® RS controlled pool/spa environment. The LT model has a simplified dual electronic thermostat. Both the LX and LT models include automation-ready features to provide convenient pool-to-spa switching.



LX/LT PERFORMANCE CHARTS

The Pool Sizing Guide below shows the maximum pool surface area LX/LT models 250 and 400 will heat based on the Temperature Difference* between the air temperature during the coldest month the pool is used and the desired pool temperature. Figures are based on average wind conditions and average pool depth.

POOL SIZING GUIDE

Model	250		400	
	*Temperature Difference			
Temperature Difference	Maximum Area Heated (width x length)			
	0 Wind	3 1/2 MPH	0 Wind	3 1/2 MPH
15°F	1750	1300	2800	2100
20°F	1300	1000	2100	1600
25°F	1050	800	1700	1280
30°F	850	650	1400	1050
35°F	750	570	1200	900

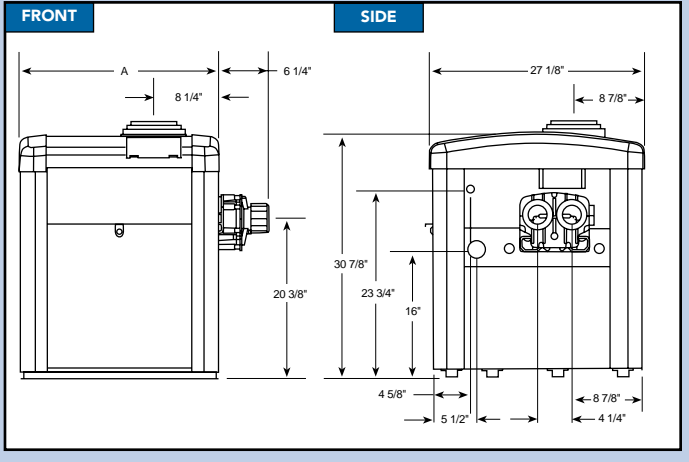
The Spa Sizing Guide below details the time required for each model to raise spa temperature by 30°F.

SPA SIZING GUIDE

Model	250	400
Spa Size	Time Required To Raise Temp 30°	
200 Gallons	15 Minutes	10 Minutes
400 Gallons	30 Minutes	20 Minutes
600 Gallons	45 Minutes	30 Minutes
800 Gallons	60 Minutes	40 Minutes
1000 Gallons	75 Minutes	50 Minutes

Specifications:

Model	"A" Width	Height	Depth	VENT	Shipping Weight	Heater Weight
250	28 1/4"	30 7/8"	27 1/8"	7.0"	237 lbs.	170 lbs.
400	34 1/4"	30 7/8"	27 1/8"	9.0"	308 lbs.	236 lbs.



See you Jandy Sales Representative for more information!



Pumps • Filters • Heaters • Air Energy Heat Pumps
Controls • Lights • Water Purification Systems • Valves
Water Features • Cleaners • Accessories

